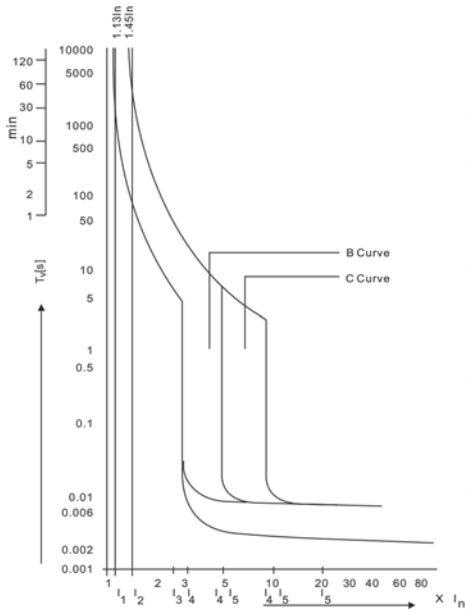
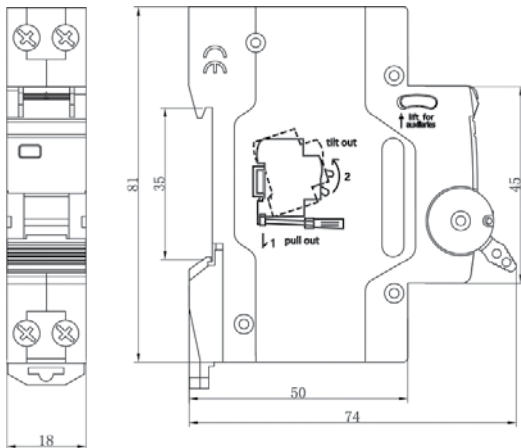


نمودار قطع لحظه ای



As per IEC60898	Thermal Tripping			Magnetic Tripping		
	No tripping current	Tripping current I_2	Time Limits t	Hold current I_4	Trip current I_5	Time Limits t
B Curve	$1.13 \times I_n$		$\geq 1h$	$3 \times I_n$		$\geq 0.1s$
		$1.45 \times I_n$	$< 1h$		$5 \times I_n$	$< 0.1s$
C Curve	$1.13 \times I_n$		$\geq 1h$	$5 \times I_n$		$\geq 0.1s$
		$1.45 \times I_n$	$< 1h$		$10 \times I_n$	$< 0.1s$

ابعاد (mm)



دیگرام سیم بندی

