

1 جنس پیچ از روی با روکش فلز استیل

2 قطعه سیم گیر شمش به جای ورق تا خورده

3 جنس سیم گیر از نیکل با روکش برنج

4 جنس قطعه رابط از نیکل با روکش برنج

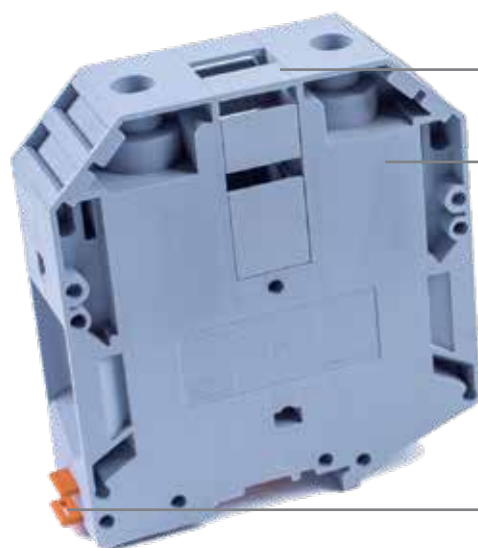
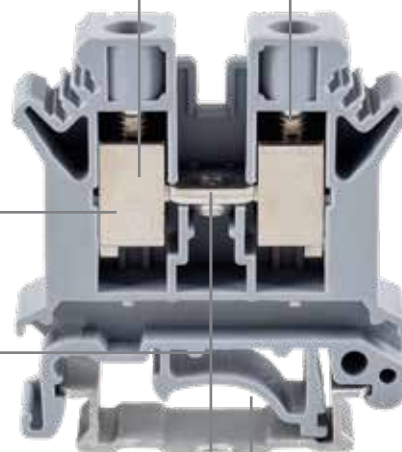
5 پذیرش جامپر از بالا و از بغل

6 قابل نصب روی ریل 35mm و ریل نوع G

7 نصب تجهیزات جانبی

8 جنس بدنه از پلی آمید 66

9 جداسازی آسان





NS21-FJ2.5N



NS21-FJ4N



NS21-FJ6N



CERTIFICATION	CQC/CE/RoHS		CQC/CE/RoHS		CQC/CE/RoHS	
MATERIAL						
Size(mm)	5.2x42.5x47		6.2x42.5x47		8.2x42.5x47	
Screw	M3, Zinc-Coated Steel		M3, Zinc-Coated Steel		M4, Zinc-Coated Steel	
Pressure Frame	Nickel-Coated Brass		Nickel-Coated Brass		Nickel-Coated Brass	
Conductor	Nickel-Coated Brass		Nickel-Coated Brass		Nickel-Coated Brass	
Housing	PA66/V-0		PA66/V-0		PA66/V-0	
ELECTRICAL DATA						
Standards	IEC 60947-7-1		IEC 60947-7-1		IEC 60947-7-1	
Voltage(V)	800		800		800	
Current(A)	32		41		57	
WIRING DATA						
Strip Length(mm)	8		8		10	
Flexible Wire(mm ²)	0.2~2.5		0.2~4		0.2~6	
Rigid Wire(mm ²)	0.2~4		0.2~6		0.2~10	
Imperial Wire(AWG)	28~12		28~10		26~8	
Torque(N·m)	0.6~0.8		0.6~0.8		1.5~1.8	
PACKING						
Pcs/Inner Box	60		50		40	
Pcs/Master Carton	3600		3000		2400	
ACCESSORIES						
End Plate						
Model	D-FJ4/10		D-FJ4/10		D-FJ4/10	
Thickness	1.8mm		1.8mm		1.8mm	
Pcs/Bag	100		100		100	
Fixed Bridge						
Model	FBR10-5N		FBI10-6		FBI10-8	
Max Current	30A		41A		57A	
Pcs/Bag	20		20		20	
Insertion Bridge						
Model	EBL10-5		EB10-6		EB10-8	
Max Current	24A		32A		57A	
Pcs/Bag	10		10		10	
Small Partition&Partition Plate						
TS-K	Pcs/Bag	200	200	200	200	
ATP-FJ		100	100	100	100	
Marking Tag						
ZB5	Pcs/Bag	100	100	100	100	



NS-21

www.nsc-co.com
V.103-1402



NS21-FJ10N



NS21-FJ16N



NS21-FJ35NL



NS21-FJ35NH

تعمیراتی

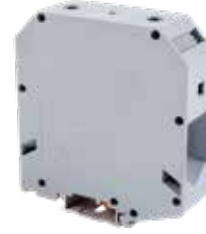
CERTIFICATION	CQC/CE/RoHS		CQC/CE/RoHS		CQC/CE/RoHS		CQC/CE/RoHS	
MATERIAL								
Size(mm)	10.2x42.5x47.3		12.2x42.5x54		15.2x55x51		15.2x50.5x62	
Screw	M4, Zinc-Coated Steel		M4, Zinc-Coated Steel		M6, Zinc-Coated Steel		M6, Zinc-Coated Steel	
Pressure Frame	Nickel-Coated Brass		Nickel-Coated Brass		Nickel-Coated Brass		Nickel-Coated Brass	
Conductor	Nickel-Coated Brass		Nickel-Coated Brass		Nickel-Coated Brass		Nickel-Coated Brass	
Housing	PA66/V-0		PA66/V-0		PA66/V-0		PA66/V-0	
ELECTRICAL DATA								
Standards	IEC 60947-7-1		IEC 60947-7-1		IEC 60947-7-1		IEC 60947-7-1	
Voltage(V)	800		800		800		1000	
Current(A)	76		101		130		150	
WIRING DATA								
Strip Length(mm)	10		11		16		16	
Flexible Wire(mm ²)	0.5~10		4~16		0.75~35		0.75~35	
Rigid Wire(mm ²)	0.5~16		2.5~25		0.75~35		0.75~50	
Imperial Wire(AWG)	24~6		22~4		18~3		18~0	
Torque(N·m)	1.5~1.8		1.5~1.8		3.2~3.7		3.2~3.7	
PACKING								
Pcs/Inner Box	30		50		32		28	
Pcs/Master Carton	1800		850		544		476	
ACCESSORIES								
End Plate								
Model	D-FJ4/10		D-FJ16		-	-	-	-
Thickness	1.8mm		1.5mm		-	-	-	-
Pcs/Bag	100		100		-	-	-	-
Fixed Bridge								
Model	FBI10-10		FBI10-12		FBI10-15		FBI10-15	
Max Current	76A		101A		130A		125A	
Pcs/Bag	20		10		10		10	
Insertion Bridge								
Model	-	-	-	-	-	-	-	-
Max Current	-	-	-	-	-	-	-	-
Pcs/Bag	-	-	-	-	-	-	-	-
Small Partition&Partition Plate								
TS-K	Pcs/Bag	200	200	200	200	200	200	
ATP-FJ		100	100	-	-	-	-	
Marking Tag								
ZB5	Pcs/Bag	100	100	100	100	100	100	



NS21-FJ50



NS21-FJ70



NS21-FJ95



NS21-FJ150

تکنیکی

CERTIFICATION	CQC/CE/RoHS	CQC/CE/RoHS	CQC/CE/RoHS	CQC/CE/RoHS				
MATERIAL								
Size(mm)	20x70.5x76	20.3x70.5x80	25x83x90	31x100x112				
Screw	M6, Zinc-Coated Steel	M8, Zinc-Coated Steel	M8, Zinc-Coated Steel	M10, Zinc-Coated Steel				
Pressure Frame	Nickel-Coated Brass	Nickel-Coated Brass	Nickel-Coated Brass	Nickel-Coated Brass				
Conductor	Nickel-Coated Brass	Nickel-Coated Brass	Nickel-Coated Brass	Nickel-Coated Brass				
Housing	PA66/V-0	PA66/V-0	PA66/V-0	PA66/V-0				
ELECTRICAL DATA								
Standards	IEC 60947-7-1	IEC 60947-7-1	IEC 60947-7-1	IEC 60947-7-1				
Voltage(V)	1000	1000	1000	1000				
Current(A)	150	192	230	309				
WIRING DATA								
Strip Length(mm)	24	24	33	40				
Flexible Wire(mm ²)	25~50	25~70	35~95	50~150				
Rigid Wire(mm ²)	16~50	16~95	25~95	35~150				
Imperial Wire(AWG)	6~1/0	4~000	2~4/0	2~300kcmil				
Torque(N·m)	6~8	8~10	15~20	25~30				
PACKING								
Pcs/Inner Box	10	10	8	2				
Pcs/Master Carton	200	150	168	42				
ACCESSORIES								
Fixed Bridge								
Model	FBI2-20		FBI2-20		-	-	-	-
Positions	2		2		-	-	-	-
Model	FBI3-20		FBI3-20		-	-	-	-
Positions	3		3		-	-	-	-
Pcs/Bag	10		10		-	-	-	-
Insertion Bridge								
Model	-		-		EB2-25		-	-
Positions	-		-		2		-	-
Pcs/Bag	-		-		16		-	-
Marking Tag								
ZB10	Pcs/Bag	100	Pcs/Bag	100	Pcs/Bag	100	Pcs/Bag	100



NS-21

www.nsc-co.com
V.103-1402